

TUNING-FORK ANALYTICAL BALANCES HT/HTR SERIES



Specifications

HT(R)-XXXCE stands for EC type approval models.

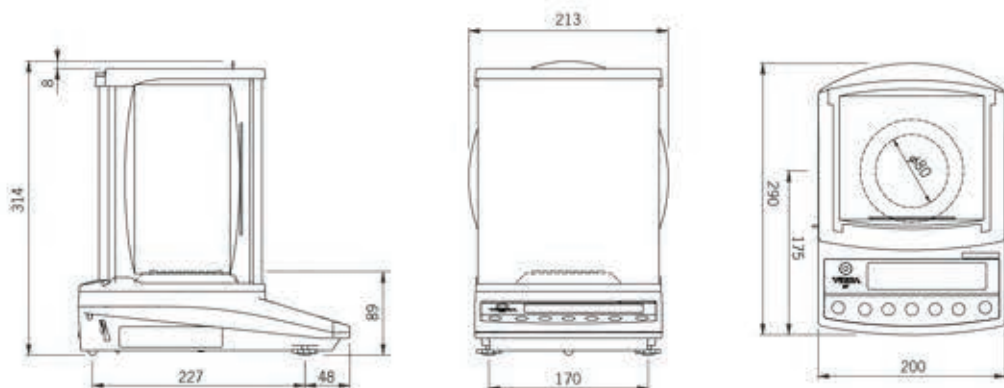
Model with EC approval	HT-80E HT-80CE	HT-120E HT-120CE	HT-220E HT-220CE	HTR-80E HTR-80CE	HTR-120E HTR-120CE	HTR-220E HTR-220CE
Capacity	80g	120g	220g	80g	120g	220g
Readability	0.0001g	0.0001g	0.0001g	0.0001g	0.0001g	0.0001g
Repeatability(σ)	0.0001g	0.0001g	0.0001g	0.0001g	0.0001g	0.0001g
Non-Linearity	$\pm 0.0003g$	$\pm 0.0003g$	$\pm 0.0003g$	$\pm 0.0003g$	$\pm 0.0003g$	$\pm 0.0003g$
Pan size	$\phi 80mm$					
Dimensions	290×200×306mm					
Weighing units	mg, g, ct, oz, lb, ozt, dwt, GN, tI(Hong Kong), tI(Taiwan), tI(Singapore, Malaysia), momme, tola					
Power source	AC120/230V DC9V					
Output	RS-232C & peripheral device output					
Measuring system	Tuning-fork frequency sensing					
Tare	Full weighing range					
Calibration	by external weight			by built-in weight		
Display	LCD with backlit					
Modes	weighing, counting, percentage, unit converting, density					
Weight	Approx. 2.9kg					

Options & Peripherals

HTDK: Density measurement kit
HTDB: Dry cell battery (factory option)
HTGW: Glass windshield (factory option)

CSP-16: Operation micro-printer

Dimensions



(unit : mm)