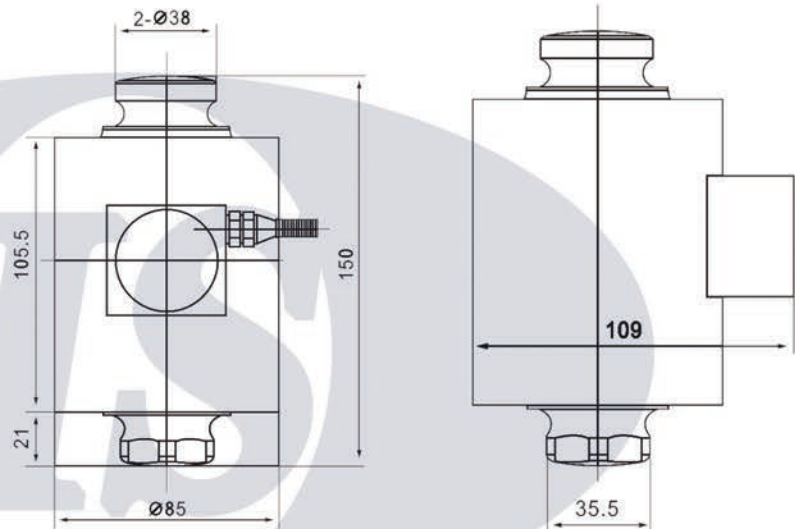
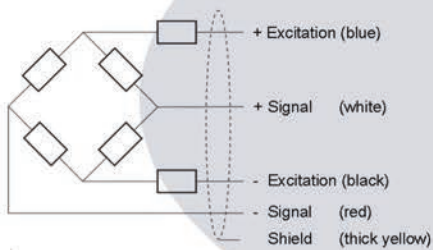


MK - 0782



FEATURE:

- Hermetically sealed design
- IP68 protection class
- Heavy duty compression load cell
- 5 core high quality orange cable
- Vehicle, tank, and truck scale application



SPECIFICATION

Rated capacities (Emax)	20,25,30,40,50t	Temperature, compensated	-10°C~+40°C
Rated Output	2.0±0.003mV/V	Temperature, operating	-30~+70°C
Total error	±0.03%F.S, ±0.05%F.S	Maximum safe overload	150%F.S
Creep error (30 min)	±0.02%F.S	Ultimate overload	200%F.S
Zero balance	±1%F.S	Excitation, recommended	10~12V DC
TC ZERO	±0.02%F.S/10°C	Excitation, maximum	15V DC
TC SPAN	±0.02%F.S/10°C	Protection class	IP68
Input resistance	1160±10Ω	Construction	Alloy Steel
Output resistance	1005±5Ω	Cable	Length:14m
Insulation resistance	≥5000MΩ		Diameter: Φ 6mm