

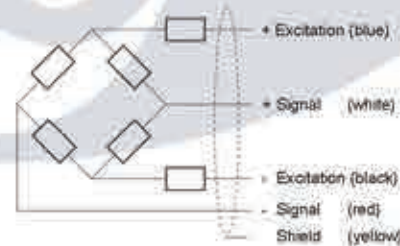
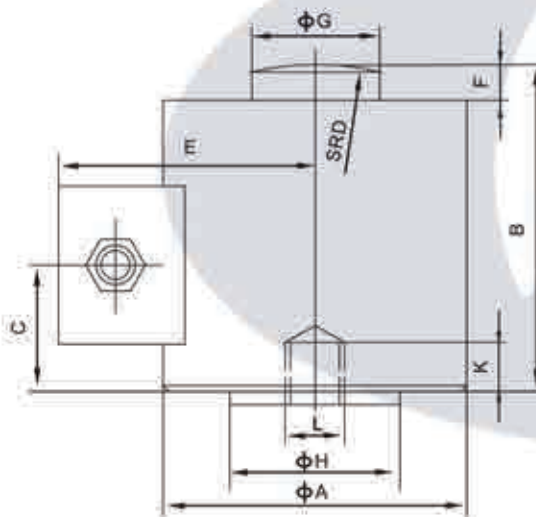
# MK - CC6



### FEATURE:

- High capacity and heavy duty load cell
- Constructed of high quality alloy steel and laser welded, providing excellent protection against water, moisture and corrosion attack
- High precision , reliability and super stability with popular shape
- 5 core high quality orange cable
- For truck scale, measuring testing machine

Rated Load (t)	A	B	C	D	E	F	G	H	K	L
20	76	82.6	48	150	56	8	31.8	48	10	M12
25	100	117	65	150	76	12	38	38	14	M20
30	100	117	65	150	76	12	38	38	10	M12
40	100	117	65	150	76	12	38	38	14	M20
50,60	107	127	66	200	81	12.7	58	64	14	M20
70	125	142	91	250	86.5	13	58	64	14	M20
100	165	184	104	300	111.8	20	70	70	20	M20
150	165	184	104	300	111.8	20	70	78	20	M20
200	223	250	152	500	137.5	20	100	112	36	M24
300,400	223	250	152	500	137.5	20	108	112	36	M24



### SPECIFICATION

Rated capacities (E <sub>max</sub> )	20,25,30,40,50,60,70,100,150,200,300,400t	Temperature, compensated	-10°C~+40°C
Rated Output	2.0±0.002mV/V	Temperature, operating	-30°C~+70°C
Total error	±0.03%F.S(20-60t);±0.05%F.S(70-100t);±0.1%F.S(150-400t)	Maximum safe overload	150%F.S
Creep error (30 min)	±0.03%F.S	Ultimate overload	200%F.S
Zero balance	±1%F.S	Excitation, recommended	10~12V DC
TC ZERO	±0.02%F.S/10°C	Excitation, maximum	15V DC
TC SPAN	±0.02%F.S/10°C	Protection class	IP68
Input resistance	400±20Ω	Material	Alloy Steel
Output resistance	352±3Ω;352±5Ω (L≥15m)	Cable	Length: 12m(20t);14m(25-40t);16m(50-150t);20m(200-400t)
Insulation resistance	≥5000MΩ		Diameter: Φ 8mm