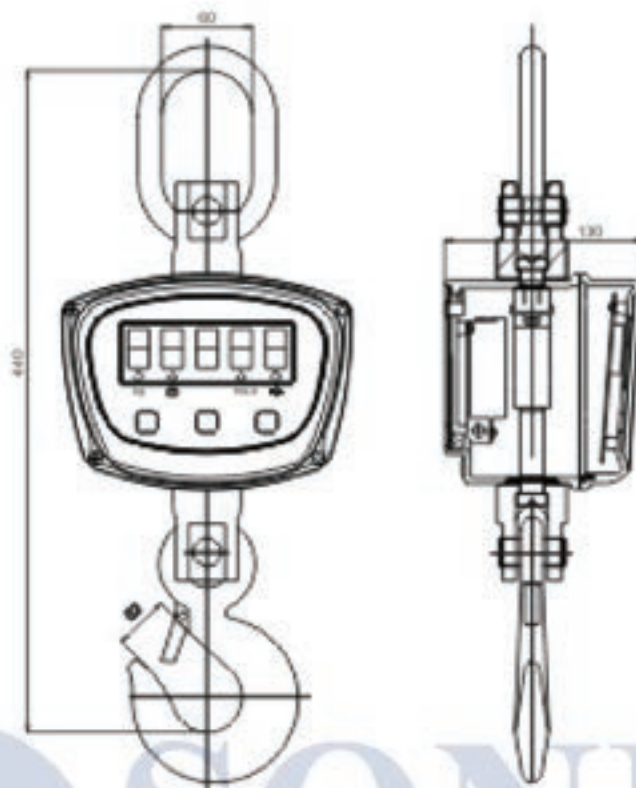


# GGE-PRO Digital Crane Scale



## Features

- Microdiecasting aluminum-magnesium alloy housing
- Light weight, anti-dust and anti-magnetic
- 360°swivel shackle & hook
- Low voltage alarm and stable weight indication
- Quick-install battery design makes it easy to replace the battery
- Super bright 5 digit red LED display with 25 mm letter height
- Divisions and unit conversion switch

## Capacity :

500kg x 0.2kg

1t x 0.5kg

1.5t x 0.5kg

2t x 1kg