

B6E3



- B6E3 load cells are available in the capacities 20kg~300kg.
- 17-4PH stainless steel construction, potted by adhesive inside, oil proof, waterproof, anti-corrosive gas and medium making it suitable for all kinds of environments.
- Single point with parallel beam, suitable for electronic scales, platform scales, belt scales and other electronic weighing devices.
- Max. platform size: 400×400mm

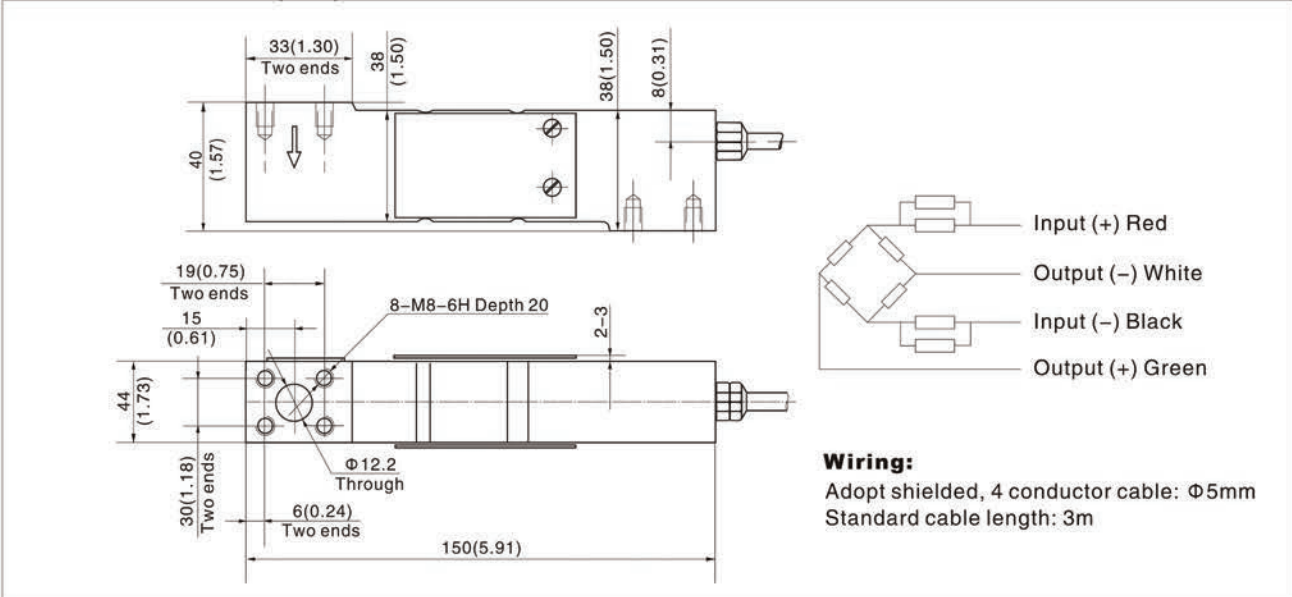
Features

- Capacity: 20kg~300kg
- High accuracy
- Stainless steel construction
- Low profile and easy installation



Specifications			
Capacity	kg	20/30/50/75/100/150/200/250/300	
Accuracy		C2	C3
Maximum number of verification intervals	n _{max}	2000	3000
Minimum load cell verification interval	v _{min}	E _{max} /5000	E _{max} /10000
Combined error	(%FS)	≤ ±0.030	≤ ±0.020
Creep	(%FS/30min)	≤ ±0.024	≤ ±0.016
Temperature effect on sensitivity	(%FS/10°C)	≤ ±0.017	≤ ±0.011
Temperature effect on zero	(%FS/10°C)	≤ ±0.023	≤ ±0.015
Output sensitivity	(mv/v)	2.0±0.002	
Input resistance	(Ω)	384±4	
Output resistance	(Ω)	351±2.0	
Insulation resistance	(MΩ)	≥5000(50VDC)	
Zero balance	(%FS)	1.5	
Temperature, compensated	(°C)	-10~+40	
Temperature, operating	(°C)	-35~+65	
Excitation, recommended	(V)	5~12(DC)	
Excitation, max	(V)	18(DC)	
Safe overload	(%FS)	150	
Ultimate overload	(%FS)	300	
Corner correction		0.02%load value/100mm	

Outline Dimension mm(inch)



Wiring:

Adopt shielded, 4 conductor cable: Φ5mm
Standard cable length: 3m