

BM14C



- BM14C load cells are available in the capacities 0.5t~50t.
- Stainless steel construction, hermetically welded, oil proof, waterproof, anti-corrosive gas and medium making it lightning protected in all kinds of environments.
- Column structure, anti-reversal design, good self-aligning ability, suitable for electronic platform scales, automobile testing facilities, hopper scales and other electronic weighing devices.
- Safe and anti-explosive product, can be used in atrocious environment and hazardous areas.

Features

- Capacity 0.5t~50t
- High accuracy
- Stainless steel construction
- Easy installation and reliable performance
- PTB Approval No: D09-07.03 Revision 1

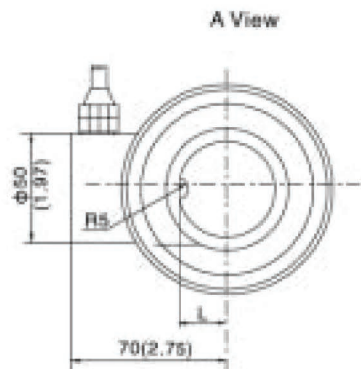
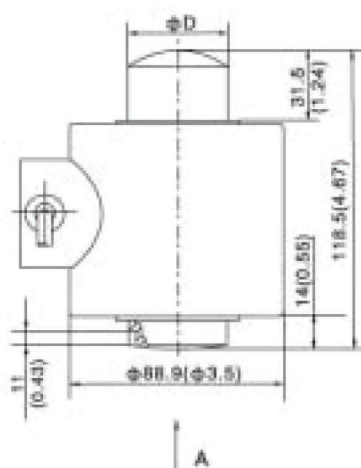
Accessories

- BM-14-407 • HM-14-401
- BM-14-408 • HM-14-403
- BM-14-414 • HM-14-416

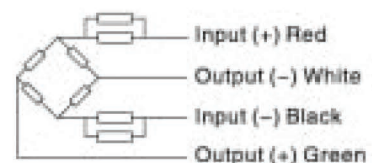
Specifications

Capacity	t	0.5/1/2/3/5/10/20/25/30/40/50				
Accuracy		C2	C3	C4	A5S	A5M
Approvals		OIML R60 C3		OIML R60 C4		
Maximum number of verification intervals	π_{max}	2000	3000	4000	5000	5000
Minimum load cell verification interval	ν_{min}	$E_{max}/5000$	$E_{max}/10000$	$E_{max}/14000$	$E_{max}/15000$	$E_{max}/15000$
Combined error	(%FS)	$\leq \pm 0.030$	$\leq \pm 0.020$	$\leq \pm 0.018$	$\leq \pm 0.018$	$\leq \pm 0.026$
Creep	(%FS/30min)	$\leq \pm 0.024$	$\leq \pm 0.016$	$\leq \pm 0.012$	$\leq \pm 0.012$	$\leq \pm 0.017$
Temperature effect on sensitivity	(%FS/10°C)	$\leq \pm 0.017$	$\leq \pm 0.011$	$\leq \pm 0.009$	$\leq \pm 0.009$	$\leq \pm 0.013$
Temperature effect on zero	(%FS/10°C)	$\leq \pm 0.023$	$\leq \pm 0.015$	$\leq \pm 0.010$	$\leq \pm 0.010$	$\leq \pm 0.014$
Output sensitivity	(mv/v)	2.0±0.002				
Input resistance	(Ω)	700±7				
Output resistance	(Ω)	703±4				
Insulation resistance	(MΩ)	≥5000(50VDC)				
Zero balance	(%FS)	1.0				
Temperature, compensated	(°C)	-10~+40				
Temperature, operating	(°C)	-35~+70				
Excitation, recommended	(V)	5~12(DC)				
Excitation, max	(V)	18(DC)				
Safe overload	(%FS)	150				
Ultimate overload	(%FS)	300				

Outline Dimension mm(Inch)



Capacity Dimension	0.5t - 30t	40t, 50t
φD	40(1.57)	50(1.97)
L	22(0.87)	28(1.06)



Wiring:

Adopt shielded, 4 conductor cable: φ5mm
Standard cable length: 15m