



- Alloy steel IP68 shear beam load cell
- Hermetically closed
- Suitable for electronic platform scales, hopper scales, etc.
- High accuracy

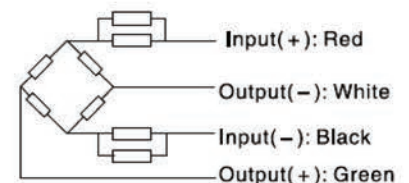
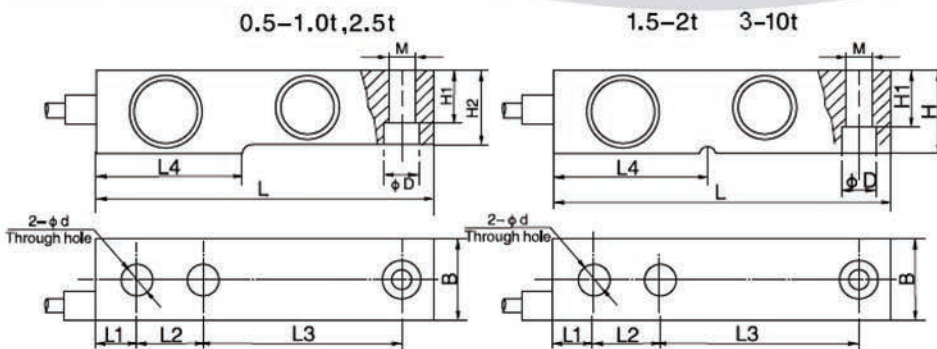


Capacity	Accuracy	Part-Number
500 kg	C3	HM8C-C3-500kg-4B
1 t	C3	HM8C-C3-1t-4B
1.5 t	C3	HM8C-C3-1.5t-4B
2 t	C3	HM8C-C3-2t-4B
3 t	C3	HM8C-C3-3t-6B
5 t	C3	HM8C-C3-5t-6B
10 t	C3	HM8C-C3-10t-6B

## Specification:

Accuracy class		C3
Output sensitivity (= FS)	mV/V	2.0 ± 0.004
Maximum capacity (E <sub>max</sub> )	t	0.5, 1, 1.5, 2, 3, 5, 10
Maximum number of load cell intervals (n <sub>LC</sub> )		3000
Ratio of minimum LC verification interval Y = E <sub>max</sub> / V <sub>min</sub>		7500
Combined Error	%FS	± 0.020
Safe overload	of E <sub>max</sub>	150 %
Ultimate overload	of E <sub>max</sub>	300 %
Zero balance	of FS	< ± 1.5 %
Excitation, recommended voltage	V	5 ~ 12
Excitation maximum	V	18
Terminal resistance, input	Ω	350 ± 3.5
Terminal resistance, output	Ω	351 ± 2
Insulation impedance	MΩ	≥5000 (at 50VDC)
Temperature range, compensated	°C	-10 ~ +40
Temperature range, operating	°C	-35 ~ +65
Element material		Alloy steel
Ingress Protection (according to EN 60529)		IP68
Recommended torque on fixation bolts	Nm	M12:100 M18:200
ATEX classification		II1G Ex ia II1C T4 II1D Ex iaD 20 T73°C II3G nL II C T4

## Outline Dimensions in mm



Dimension / Capacity	L	L1	L2	L3	H	B	φD	φd	M	L4	H1	H2
0.5	130 (5.12)	15.8 (0.62)	25.4 (1.0)	76.2 (3.0)	31.8 (1.25)	31.8 (1.25)	13.5 (0.53)	13.5 (0.53)	M12	53.7 (2.11)	15.8 (0.62)	26 (1.02)
1.0	130 (5.12)	15.8 (0.62)	25.4 (1.0)	76.2 (3.0)	31.8 (1.25)	31.8 (1.25)	13.5 (0.53)	13.5 (0.53)	M12	53.7 (2.11)	15.8 (0.62)	28 (1.1)
1.5-2	130 (5.12)	15.8 (0.62)	25.4 (1.0)	76.2 (3.0)	31.8 (1.25)	31.8 (1.25)	13.5 (0.53)	13.5 (0.53)	M12	54.2 (2.11)	15.8 (0.62)	28 (1.1)
2.5	171.5 (6.75)	19.1 (0.75)	38.1 (1.5)	95.3 (3.75)	38.1 (1.5)	38.1 (1.5)	19.8 (0.78)	19.8 (0.78)	M18 x 1.5	76.2 (3.0)	18.8 (0.74)	34 (1.34)
3-5	171.5 (6.75)	19.1 (0.75)	38.1 (1.5)	95.3 (3.75)	38.1 (1.5)	38.1 (1.5)	19.8 (0.78)	19.8 (0.78)	M18 x 1.5	77.2 (3.04)	18.8 (0.74)	34 (1.34)
10	222.3 (8.75)	25.4 (1.0)	50.8 (2.0)	120.3 (4.75)	50.8 (2.0)	50.8 (2.0)	26 (1.02)	26 (1.02)	M24 x 2	101.6 (4.00)	25.4 (1.0)	34 (1.34)

### Wiring:

- Shielded, 4 conductor cable.
- Standard cable length: 4m(0.5~2t), 6m(2.5~10t).
- Cable type and cable length for customer's own application are available on request.
- Shield not connected to element.