

RoHS



- Aluminium-Alloy IP65 single point load cell
- Colourless anodized
- Suitable for single or double load cell structured platform scales
- Maximum platform size: 350 x 400 mm

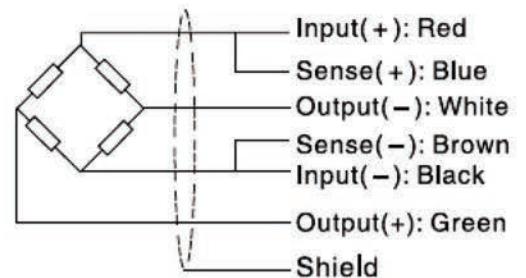
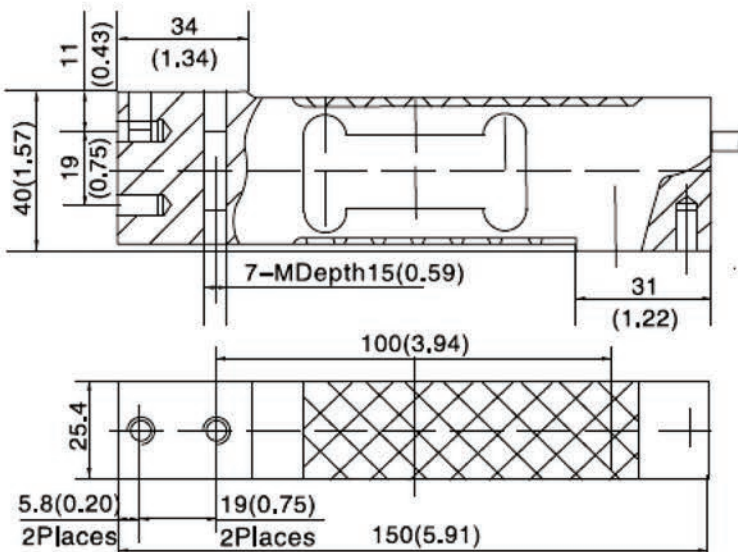


Capacity	Accuracy	Part-Number
xxx kg	C3	L6N-C3-xxxkg-3B6
xxx lb	C3	L6N-C3-xxxlb-3B6
xxx kg	C4	L6N-C3-xxxkg-3B6
xxx lb	C4	L6N-C3-xxxlb-3B6

Specification:

Accuracy class		OIML R60 C3		OIML R60 C4
		kg	lb	
Output sensitivity (= FS)	mV/V	2.0 ± 0.2		
Maximum capacity (E _{max})		3, 5, 8, 10, 15, 20, 30, 50, 75, 100	10, 15, 20, 30, 50, 100, 200	15, 20, 30, 50, 75
Maximum number of load cell intervals (n _{LC})		3000		4000
Ratio of minimum LC verification interval $Y = E_{max} / V_{min}$		12000		20000
Minimum Dead Load Output Return (Z = ½ * E _{max} / DR)		4000		
Combined Error	%FS	± 0.0230		± 0.0200
Minimum dead load	kg or lb	0		
Safe overload	of E _{max}	150 %		
Ultimate overload	of E _{max}	300 %		
Zero balance	of FS	< ± 2.0 %		
Excitation, recommended voltage	V	5 ~ 12		
Excitation maximum	V	18		
Terminal resistance, input	Ω	409 ± 6		
Terminal resistance, output	Ω	350 ± 3		
Insulation impedance	MΩ	≥5000 (at 50VDC)		
Temperature range, compensated	°C	-10 ~ +40		
Temperature range, operating	°C	-35 ~ +65		
Element material		Aluminium		
Recommended torque on fixation bolts	Nm	10		
Ingress Protection (according to EN 60529)		IP65		

Outline Dimensions in mm



• Dimensions and specifications are subject to change without notice.

Wiring:

- Adopt a shielded, 6 conductor cable, and cable jacket is PVC.
- Cable length: 3.0 ± 0.05m.
- Cable diameter: 5.0 ± 0.2mm.
- Shield not connected to body.

	Metric	Imperial
M	M6	1/4-20UNC